



Lifting force tables EW100

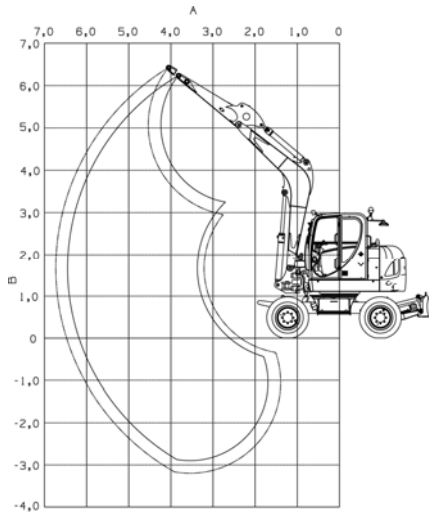


Fig. 1: Lifting force table EW100 - Boom

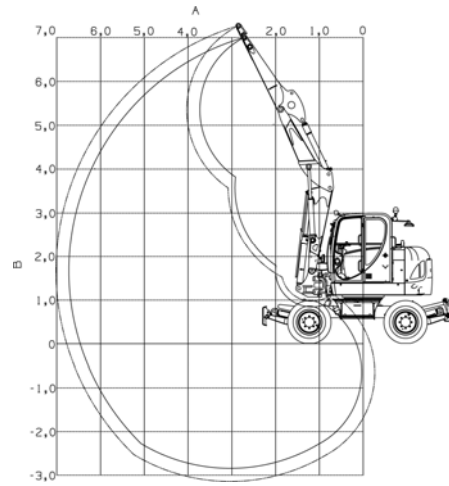


Fig. 2: Lifting force table EW100 - Adjustable boom

max	Permissible load with extended dipper stick
A	Outreach from middle of rotating assembly
B	Load hook height
*	Lifting force limited by hydraulics

All table values are specified in kg (lbs.), in a horizontal position on a solid surface and without a bucket or an attachment.

- I Vehicle rearward facing with dozer blade support or stabilizer support, tipping through dozer blade or stabilizers
- II Vehicle rearward facing without dozer blade support or stabilizer support, tipping through rear axle
- III Vehicle in travel direction without dozer blade support or stabilizer support, tipping through front axle
- IV Vehicle 90° to the travel direction without dozer blade or stabilizer support

The lifting force of the vehicle is limited by the settings of the pressure relief valves and hydraulic performance or by the tipping safety mechanism.

Neither 75% of the static tipping load nor 87% of the hydraulic lifting force are exceeded.

Base of calculation: according to ISO 10567. Set pressure on the lifting arm cylinder 29000 kPa (4206 psi).

The lifting capacity applies for vehicles under the following conditions:

- Lubricants and operating materials at the prescribed levels.
- Full fuel tank.
- Cabin.
- Vehicle at operating temperature.
- Weight of the operator 75 kg (165 lbs.).



**WACKER
NEUSON**
all it takes!

Lifting force tables EW100 - Boom

A B	4 m (13'-1")				5 m (16'-5")				6 m (19'-8")							
	I	II	III	IV	I	II	III	IV	I	II	III	IV	I	II	III	IV
6.0 m (19.7 ft.)	2014 (4.440)	2198 (4.847)	3380 (7.452)	2350 (5.183)	-	-	-	-	-	-	-	-	2039 (4.497)	2039 (4.496)	3135 (6.913)	2178 (4.802)
4.5 m (14.8 ft.)	-	-	-	-	1815 (4.002)	1521 (3.354)	2331 (5.141)	1616 (3.564)	-	-	-	-	1823 (4.020)	1236 (2.726)	1912 (4.216)	1312 (2.892)
3.0 m (9.8 ft.)	2485 (5.479)	2053 (4.528)	3221 (7.102)	2201 (4.853)	2046 (4.512)	1452 (3.201)	2257 (4.977)	1545 (3.407)	1827 (4.029)	1083 (2.388)	1695 (3.737)	1149 (2.534)	1847 (4.073)	1046 (2.305)	1621 (3.574)	1107 (2.442)
1.5 m (4.9 ft.)	3260 (7.188)	1842 (4.062)	2989 (6.591)	1982 (4.371)	2399 (5.289)	1347 (2.971)	2145 (4.730)	1438 (3.171)	1959 (4.319)	1034 (2.279)	1643 (3.622)	1099 (2.423)	1817 (4.005)	926 (2.042)	1476 (3.255)	984 (2.170)
0.0 m (0.0 ft.)	3952 (8.714)	1742 (3.841)	2879 (6.347)	1878 (4.141)	2902 (6.400)	1279 (2.820)	2072 (4.568)	1368 (3.015)	2243 (4.946)	998 (2.201)	1605 (3.539)	1063 (2.343)	2126 (4.687)	959 (2.115)	1541 (3.398)	1021 (2.250)
-1.0 m (-3.3 ft.)	3667 (8.086)	1735 (3.827)	2872 (6.332)	1872 (4.127)	2712 (5.979)	1268 (2.797)	2061 (4.544)	1357 (2.992)	-	-	-	-	2130 (4.696)	1062 (2.342)	1710 (3.770)	1132 (2.495)

Tab 1: Lifting force table EW100 – Boom, dual tires, dozer blade rear, short dipper stick

A B	4 m (13'-1")				5 m (16'-5")				6 m (19'-8")							
	I	II	III	IV	I	II	III	IV	I	II	III	IV	I	II	III	IV
6.0 m (19.7 ft.)	-	-	-	-	-	-	-	-	-	-	-	-	1824 (4.021)	1724 (3.801)	2640 (5.821)	1835 (4.046)
4.5 m (14.8 ft.)	-	-	-	-	1662 (3.665)	1540 (3.395)	2353 (5.188)	1636 (3.607)	-	-	-	-	1685 (3.715)	1128 (2.487)	1750 (3.860)	1196 (2.638)
3.0 m (9.8 ft.)	2274 (5.015)	2087 (4.601)	3260 (7.188)	2236 (4.931)	1919 (4.232)	1464 (3.229)	2272 (5.010)	1558 (3.436)	1729 (3.813)	1088 (2.400)	1702 (3.752)	1155 (2.547)	1672 (3.686)	929 (2.048)	1468 (3.236)	986 (2.173)
1.5 m (4.9 ft.)	3115 (6.869)	1860 (4.102)	3011 (6.639)	2002 (4.413)	2310 (5.094)	1351 (2.978)	2150 (4.741)	1442 (3.179)	1899 (4.188)	1030 (2.272)	1640 (3.617)	1096 (2.416)	1698 (3.745)	861 (1.898)	1380 (3.043)	915 (2.017)
0.0 m (0.0 ft.)	3948 (8.706)	1733 (3.820)	2871 (6.330)	1870 (4.122)	2883 (6.357)	1269 (2.798)	2063 (4.548)	1358 (2.994)	2254 (4.971)	985 (2.171)	1592 (3.511)	1049 (2.314)	1998 (4.406)	886 (1.953)	1431 (3.156)	943 (2.078)
-1.0 m (-3.3 ft.)	3766 (8.304)	1711 (3.774)	2848 (6.279)	1848 (4.074)	2776 (6.122)	1249 (2.755)	2042 (4.502)	1338 (2.950)	2062 (4.548)	980 (2.160)	1587 (3.498)	1044 (2.302)	2017 (4.448)	968 (2.135)	1568 (3.457)	1032 (2.275)


Tab 2: Lifting force table EW100 – Boom, dual tires, dozer blade rear, long dipper stick

A B	4 m (13'-1")				5 m (16'-5")				6 m (19'-8")							
	I	II	III	IV	I	II	III	IV	I	II	III	IV	I	II	III	IV
6.0 m (19.7 ft.)	2018 (4.450)	2117 (4.667)	3290 (7.255)	2268 (5.001)	-	-	-	-	-	-	-	-	2043 (4.504)	1962 (4.327)	3051 (6.728)	2100 (4.631)
4.5 m (14.8 ft.)	1885 (4.157)	-	-	-	1816 (4.004)	1461 (3.221)	2267 (4.998)	1555 (3.430)	-	-	-	-	1824 (4.022)	1184 (2.611)	1857 (4.094)	1260 (2.777)
3.0 m (9.8 ft.)	2482 (5.473)	1972 (4.349)	3132 (6.905)	2119 (4.672)	2046 (4.511)	1391 (3.068)	2192 (4.834)	1484 (3.273)	1828 (4.030)	1035 (2.282)	1644 (3.625)	1101 (2.428)	1796 (3.960)	1000 (2.205)	1573 (3.468)	1062 (2.342)
1.5 m (4.9 ft.)	3259 (7.186)	1761 (3.883)	2900 (6.394)	1900 (4.190)	2398 (5.288)	1287 (2.838)	2080 (4.587)	1377 (3.037)	1959 (4.319)	985 (2.173)	1592 (3.510)	1051 (2.317)	1817 (4.007)	882 (1.945)	1430 (3.153)	940 (2.073)
0.0 m (0.0 ft.)	3440 (7.585)	1660 (3.661)	2789 (6.151)	1796 (3.960)	2526 (5.570)	1218 (2.687)	2007 (4.425)	1307 (2.882)	1953 (4.306)	950 (2.095)	1554 (3.427)	1015 (2.237)	1850 (4.079)	913 (2.013)	1492 (3.290)	974 (2.148)
-1.0 m (-3.3 ft.)	2949 (6.502)	1654 (3.647)	2782 (6.135)	1789 (3.946)	2158 (4.757)	1208 (2.664)	1996 (4.401)	1296 (2.858)	-	-	-	-	1836 (4.048)	1011 (2.229)	1656 (3.651)	1081 (2.383)


Tab 3: Lifting force table EW100 – Boom, balloon tires, dozer blade rear, short dipper stick




Lifting force tables EW100 - Boom

A \ B	4 m (13'-1")				5 m (16'-5")				6 m (19'-8")							
	I	II	III	IV	I	II	III	IV	I	II	III	IV	I	II	III	IV
6.0 m (19.7 ft.)	-	-	-	-	-	-	-	-	-	-	-	-	1826 (4.025)	1657 (3.654)	2568 (5.663)	1768 (3.899)
4.5 m (14.8 ft.)	-	-	-	-	1662 (3.666)	1479 (3.262)	2288 (5.045)	1575 (3.473)	-	-	-	-	1796 (3.961)	1079 (2.380)	1699 (3.746)	1148 (2.531)
3.0 m (9.8 ft.)	2271 (5.008)	2005 (4.422)	3170 (6.991)	2154 (4.749)	1919 (4.231)	1404 (3.095)	2207 (4.867)	1498 (3.302)	1730 (3.814)	1040 (2.294)	1651 (3.640)	1107 (2.441)	1672 (3.688)	886 (1.953)	1422 (3.136)	943 (2.079)
1.5 m (4.9 ft.)	3113 (6.865)	1779 (3.923)	2922 (6.442)	1919 (4.232)	2310 (5.093)	1290 (2.845)	2085 (4.598)	1381 (3.045)	1899 (4.188)	982 (2.166)	1589 (3.505)	1048 (2.310)	1699 (3.746)	819 (1.806)	1336 (2.946)	873 (1.925)
0.0 m (0.0 ft.)	3436 (7.577)	1651 (3.641)	2782 (6.134)	1787 (3.941)	2509 (5.532)	1208 (2.664)	1998 (4.405)	1297 (2.860)	1962 (4.327)	937 (2.065)	1541 (3.399)	1001 (2.208)	1739 (3.834)	842 (1.856)	1385 (3.054)	899 (1.982)
-1.0 m (-3.3 ft.)	3089 (6.811)	1630 (3.595)	2758 (6.082)	1765 (3.893)	2274 (5.014)	1189 (2.621)	1977 (4.359)	1277 (2.816)	-	931 (2.054)	1536 (3.387)	996 (2.196)	1752 (3.864)	921 (2.030)	1517 (3.346)	984 (2.171)

Tab 4: Lifting force table EW100 – Boom, balloon tires, dozer blade rear, long dipper stick

A \ B	4 m (13'-1")				5 m (16'-5")				6 m (19'-8")							
	I	II	III	IV	I	II	III	IV	I	II	III	IV	I	II	III	IV
6.0 m (19.7 ft.)	2018 (4.450)	2520 (5.557)	3293 (7.262)	2489 (5.488)	-	-	-	-	-	-	-	-	2043 (4.504)	2343 (5.167)	3054 (6.734)	2309 (5.090)
4.5 m (14.8 ft.)	1885 (4.157)	-	-	-	1816 (4.004)	1761 (3.883)	2269 (5.002)	1718 (3.789)	-	-	-	-	1824 (4.022)	1444 (3.183)	1858 (4.098)	1400 (3.087)
3.0 m (9.8 ft.)	2482 (5.473)	2375 (5.238)	3135 (6.912)	2340 (5.159)	2046 (4.511)	1692 (3.730)	2194 (4.838)	1647 (3.632)	1828 (4.030)	1274 (2.809)	1645 (3.628)	1230 (2.713)	1796 (3.960)	1226 (2.704)	1574 (3.472)	1184 (2.611)
1.5 m (4.9 ft.)	3259 (7.186)	2164 (4.772)	2903 (6.401)	2121 (4.677)	2398 (5.288)	1587 (3.500)	2083 (4.592)	1540 (3.396)	1959 (4.319)	1225 (2.700)	1593 (3.513)	1180 (2.602)	1817 (4.007)	1101 (2.428)	1431 (3.156)	1058 (2.333)
0.0 m (0.0 ft.)	3440 (7.585)	2064 (4.551)	2792 (6.157)	2017 (4.447)	2526 (5.570)	1519 (3.349)	2009 (4.430)	1470 (3.241)	1953 (4.306)	1189 (2.622)	1556 (3.431)	1144 (2.522)	1850 (4.079)	1143 (2.521)	1494 (3.293)	1099 (2.422)
-1.0 m (-3.3 ft.)	2949 (6.502)	2057 (4.537)	2785 (6.142)	2010 (4.433)	2158 (4.757)	1508 (3.326)	1998 (4.405)	1459 (3.218)	-	-	-	-	1836 (4.048)	1264 (2.787)	1657 (3.655)	1218 (2.685)

Tab 5: Lifting force table EW100 – Boom, dual tires, stabilizers front, dozer blade rear, short dipper stick


A \ B	4 m (13'-1")				5 m (16'-5")				6 m (19'-8")							
	I	II	III	IV	I	II	III	IV	I	II	III	IV	I	II	III	IV
6.0 m (19.7 ft.)	-	-	-	-	-	-	-	-	-	-	-	-	1826 (4.025)	1988 (4.383)	2570 (5.668)	1948 (4.296)
4.5 m (14.8 ft.)	-	-	-	-	1662 (3.666)	1780 (3.924)	2290 (5.050)	1738 (3.833)	-	-	-	-	1796 (3.961)	1321 (2.913)	1701 (3.750)	1278 (2.819)
3.0 m (9.8 ft.)	2271 (5.008)	2409 (5.311)	3173 (6.997)	2375 (5.236)	1919 (4.231)	1704 (3.757)	2209 (4.871)	1661 (3.662)	1730 (3.814)	1279 (2.821)	1652 (3.643)	1236 (2.726)	1672 (3.688)	1100 (2.426)	1424 (3.139)	1058 (2.333)
1.5 m (4.9 ft.)	3113 (6.865)	2182 (4.812)	2925 (6.449)	2140 (4.719)	2310 (5.093)	1590 (3.507)	2088 (4.603)	1544 (3.405)	1899 (4.188)	1221 (2.693)	1591 (3.508)	1177 (2.595)	1699 (3.746)	1027 (2.265)	1338 (2.949)	985 (2.173)
0.0 m (0.0 ft.)	3436 (7.577)	2055 (4.531)	2785 (6.140)	2008 (4.428)	2509 (5.532)	1509 (3.327)	2000 (4.410)	1460 (3.220)	1962 (4.327)	1176 (2.593)	1543 (3.402)	1131 (2.493)	1739 (3.834)	1060 (2.336)	1387 (3.058)	1016 (2.241)
-1.0 m (-3.3 ft.)	3089 (6.811)	2033 (4.484)	2761 (6.089)	1986 (4.380)	2274 (5.014)	1489 (3.283)	1979 (4.364)	1440 (3.176)	-	1171 (2.581)	1538 (3.390)	1125 (2.481)	1752 (3.864)	1157 (2.552)	1519 (3.349)	1112 (2.452)

Tab 6: Lifting force table EW100 – Boom, dual tires, stabilizers front, dozer blade rear, long dipper stick




**WACKER
NEUSON**
all it takes!


Lifting force tables EW100 - Boom

A B	4 m (13'-1")				5 m (16'-5")				6 m (19'-8")							
	I	II	III	IV	I	II	III	IV	I	II	III	IV	I	II	III	IV
6.0 m (19.7 ft.)	2018 (4.450)	2439 (5.377)	3209 (7.065)	2407 (5.307)	-	-	-	-	-	-	-	-	2043 (4.504)	2267 (4.998)	2970 (6.549)	2231 (4.919)
4.5 m (14.8 ft.)	1885 (4.157)	-	-	-	1816 (4.004)	1700 (3.750)	2204 (4.859)	1658 (3.656)	-	-	-	-	1824 (4.022)	1391 (3.068)	1803 (3.976)	1348 (2.972)
3.0 m (9.8 ft.)	2482 (5.473)	2294 (5.059)	3045 (6.715)	2257 (4.977)	2046 (4.511)	1631 (3.596)	2129 (4.696)	1587 (3.498)	1828 (4.030)	1226 (2.703)	1595 (3.516)	1182 (2.607)	1796 (3.960)	1181 (2.603)	1526 (3.366)	1139 (2.511)
1.5 m (4.9 ft.)	3259 (7.186)	2083 (4.593)	2814 (6.204)	2039 (4.496)	2398 (5.288)	1527 (3.366)	2018 (4.449)	1480 (3.263)	1959 (4.319)	1176 (2.594)	1542 (3.401)	1132 (2.496)	1817 (4.007)	1057 (2.331)	1385 (3.054)	1014 (2.236)
0.0 m (0.0 ft.)	3440 (7.585)	1982 (4.371)	2703 (5.960)	1935 (4.266)	2526 (5.570)	1458 (3.215)	1944 (4.287)	1409 (3.107)	1953 (4.306)	1141 (2.516)	1505 (3.318)	1096 (2.416)	1850 (4.079)	1097 (2.418)	1445 (3.185)	1052 (2.320)
-1.0 m (-3.3 ft.)	2949 (6.502)	1976 (4.357)	2696 (5.945)	1928 (4.251)	2158 (4.757)	1448 (3.192)	1933 (4.263)	1399 (3.084)	-	-	-	-	1836 (4.048)	1213 (2.675)	1603 (3.535)	1167 (2.572)

Tab 7: Lifting force table EW100 – Boom, balloon tires, stabilizers front, dozer blade rear, short dipper stick

A B	4 m (13'-1")				5 m (16'-5")				6 m (19'-8")							
	I	II	III	IV	I	II	III	IV	I	II	III	IV	I	II	III	IV
6.0 m (19.7 ft.)	-	-	-	-	-	-	-	-	-	-	-	-	1826 (4.025)	1921 (4.236)	2499 (5.509)	1881 (4.148)
4.5 m (14.8 ft.)	-	-	-	-	1662 (3.666)	1719 (3.791)	2225 (4.907)	1678 (3.699)	-	-	-	-	1796 (3.961)	1272 (2.806)	1649 (3.636)	1230 (2.712)
3.0 m (9.8 ft.)	2271 (5.008)	2327 (5.132)	3084 (6.801)	2293 (5.055)	1919 (4.231)	1643 (3.624)	2144 (4.729)	1600 (3.528)	1730 (3.814)	1231 (2.715)	1601 (3.531)	1188 (2.620)	1672 (3.688)	1057 (2.330)	1378 (3.039)	1015 (2.239)
1.5 m (4.9 ft.)	3113 (6.865)	2101 (4.633)	2835 (6.252)	2058 (4.538)	2310 (5.093)	1530 (3.373)	2023 (4.460)	1483 (3.271)	1899 (4.188)	1173 (2.587)	1540 (3.396)	1129 (2.489)	1699 (3.746)	985 (2.173)	1294 (2.852)	944 (2.081)
0.0 m (0.0 ft.)	3436 (7.577)	1973 (4.351)	2695 (5.943)	1926 (4.247)	2509 (5.532)	1448 (3.193)	1935 (4.267)	1400 (3.086)	1962 (4.327)	1128 (2.486)	1492 (3.290)	1082 (2.387)	1739 (3.834)	1016 (2.240)	1341 (2.956)	973 (2.145)
-1.0 m (-3.3 ft.)	3089 (6.811)	1952 (4.305)	2672 (5.892)	1904 (4.199)	2274 (5.014)	1429 (3.150)	1914 (4.221)	1380 (3.042)	-	1122 (2.475)	1487 (3.278)	1077 (2.375)	1752 (3.864)	1110 (2.447)	1469 (3.239)	1065 (2.347)


Tab 8: Lifting force table EW100 – Boom, balloon tires, stabilizers front, dozer blade rear, long dipper stick

A B	4 m (13'-1")				5 m (16'-5")				6 m (19'-8")							
	I	II	III	IV	I	II	III	IV	I	II	III	IV	I	II	III	IV
6.0 m (19.7 ft.)	2018 (4.450)	2269 (5.003)	3102 (6.839)	2270 (5.006)	-	-	-	-	-	-	-	-	2043 (4.504)	2106 (4.644)	2874 (6.337)	2102 (4.636)
4.5 m (14.8 ft.)	1885 (4.157)	-	-	-	1816 (4.004)	1574 (3.471)	2130 (4.696)	1557 (3.434)	-	-	-	-	1824 (4.022)	1282 (2.827)	1740 (3.836)	1261 (2.781)
3.0 m (9.8 ft.)	2482 (5.473)	2125 (4.685)	2943 (6.490)	2121 (4.677)	2046 (4.511)	1505 (3.318)	2055 (4.532)	1486 (3.277)	1828 (4.030)	1125 (2.481)	1536 (3.388)	1103 (2.431)	1796 (3.960)	1085 (2.393)	1471 (3.244)	1063 (2.344)
1.5 m (4.9 ft.)	3259 (7.186)	1913 (4.219)	2711 (5.978)	1902 (4.195)	2398 (5.288)	1400 (3.088)	1943 (4.285)	1379 (3.041)	1959 (4.319)	1076 (2.372)	1484 (3.272)	1052 (2.320)	1817 (4.007)	965 (2.128)	1332 (2.936)	941 (2.075)
0.0 m (0.0 ft.)	3440 (7.585)	1813 (3.997)	2601 (5.735)	1798 (3.965)	2526 (5.570)	1332 (2.937)	1870 (4.123)	1309 (2.885)	1953 (4.306)	1040 (2.294)	1447 (3.190)	1016 (2.240)	1850 (4.079)	1000 (2.205)	1389 (3.062)	975 (2.151)
-1.0 m (-3.3 ft.)	2949 (6.502)	1806 (3.983)	2594 (5.720)	1792 (3.951)	2158 (4.757)	1321 (2.914)	1859 (4.099)	1298 (2.862)	-	-	-	-	1836 (4.048)	1107 (2.440)	1542 (3.399)	1082 (2.386)


Tab 9: Lifting force table EW100 – Boom, dual tires, stabilizers rear, short dipper stick




Lifting force tables EW100 - Boom

A \ B	4 m (13'-1")				5 m (16'-5")				6 m (19'-8")							
	I	II	III	IV	I	II	III	IV	I	II	III	IV	I	II	III	IV
6.0 m (19.7 ft.)	-	-	-	-	-	-	-	-	-	-	-	-	1826 (4.025)	1782 (3.930)	2416 (5.328)	1770 (3.903)
4.5 m (14.8 ft.)	-	-	-	-	1662 (3.666)	1593 (3.512)	2151 (4.743)	1577 (3.477)	-	-	-	-	1796 (3.961)	1171 (2.581)	1590 (3.506)	1149 (2.534)
3.0 m (9.8 ft.)	2271 (5.008)	2158 (4.758)	2982 (6.575)	2156 (4.754)	1919 (4.231)	1517 (3.345)	2070 (4.565)	1499 (3.306)	1730 (3.814)	1130 (2.493)	1543 (3.403)	1108 (2.444)	1672 (3.688)	967 (2.131)	1326 (2.925)	944 (2.081)
1.5 m (4.9 ft.)	3113 (6.865)	1931 (4.258)	2733 (6.027)	1922 (4.237)	2310 (5.093)	1403 (3.095)	1948 (4.296)	1383 (3.049)	1899 (4.188)	1072 (2.365)	1482 (3.267)	1049 (2.313)	1699 (3.746)	898 (1.979)	1243 (2.741)	874 (1.928)
0.0 m (0.0 ft.)	3436 (7.577)	1804 (3.977)	2593 (5.718)	1790 (3.946)	2509 (5.532)	1322 (2.914)	1861 (4.103)	1299 (2.864)	1962 (4.327)	1027 (2.264)	1434 (3.161)	1003 (2.211)	1739 (3.834)	924 (2.037)	1288 (2.839)	900 (1.985)
-1.0 m (-3.3 ft.)	3089 (6.811)	1783 (3.930)	2570 (5.667)	1768 (3.898)	2274 (5.014)	1302 (2.871)	1840 (4.057)	1279 (2.820)	-	1022 (2.253)	1428 (3.149)	997 (2.199)	1752 (3.864)	1010 (2.227)	1411 (3.112)	986 (2.174)

Tab 10: Lifting force table EW100 – Boom, dual tires, stabilizers rear, long dipper stick

A \ B	4 m (13'-1")				5 m (16'-5")				6 m (19'-8")							
	I	II	III	IV	I	II	III	IV	I	II	III	IV	I	II	III	IV
6.0 m (19.7 ft.)	2018 (4.450)	2188 (4.824)	3013 (6.643)	2188 (4.825)	-	-	-	-	-	-	-	-	2043 (4.504)	2030 (4.475)	2790 (6.152)	2025 (4.465)
4.5 m (14.8 ft.)	1885 (4.157)	-	-	-	1816 (4.004)	1514 (3.337)	2065 (4.553)	1497 (3.300)	-	-	-	-	1824 (4.022)	1230 (2.712)	1684 (3.713)	1209 (2.665)
3.0 m (9.8 ft.)	2482 (5.473)	2043 (4.505)	2854 (6.293)	2039 (4.495)	2046 (4.511)	1444 (3.184)	1990 (4.389)	1425 (3.143)	1828 (4.030)	1077 (2.375)	1485 (3.275)	1054 (2.325)	1796 (3.960)	1040 (2.293)	1423 (3.139)	1018 (2.244)
1.5 m (4.9 ft.)	3259 (7.186)	1832 (4.040)	2622 (5.782)	1820 (4.013)	2398 (5.288)	1340 (2.954)	1879 (4.142)	1318 (2.907)	1959 (4.319)	1028 (2.266)	1433 (3.160)	1004 (2.214)	1817 (4.007)	921 (2.030)	1285 (2.834)	897 (1.978)
0.0 m (0.0 ft.)	3440 (7.585)	1732 (3.818)	2512 (5.538)	1716 (3.784)	2526 (5.570)	1271 (2.803)	1805 (3.980)	1248 (2.752)	1953 (4.306)	992 (2.188)	1396 (3.078)	968 (2.134)	1850 (4.079)	953 (2.102)	1340 (2.954)	929 (2.049)
-1.0 m (-3.3 ft.)	2949 (6.502)	1725 (3.804)	2505 (5.523)	1709 (3.769)	2158 (4.757)	1261 (2.780)	1794 (3.956)	1237 (2.728)	-	-	-	-	1836 (4.048)	1056 (2.328)	1488 (3.280)	1031 (2.274)

Tab 11: Lifting force table EW100 – Boom, balloon tires, stabilizers rear, short dipper stick

A \ B	4 m (13'-1")				5 m (16'-5")				6 m (19'-8")							
	I	II	III	IV	I	II	III	IV	I	II	III	IV	I	II	III	IV
6.0 m (19.7 ft.)	-	-	-	-	-	-	-	-	-	-	-	-	1826 (4.025)	1716 (3.783)	2344 (5.169)	1703 (3.755)
4.5 m (14.8 ft.)	-	-	-	-	1662 (3.666)	1532 (3.379)	2086 (4.601)	1516 (3.343)	-	-	-	-	1796 (3.961)	1122 (2.474)	1539 (3.393)	1101 (2.427)
3.0 m (9.8 ft.)	2271 (5.008)	2077 (4.579)	2893 (6.378)	2074 (4.573)	1919 (4.231)	1457 (3.212)	2005 (4.422)	1439 (3.172)	1730 (3.814)	1082 (2.386)	1492 (3.290)	1060 (2.338)	1672 (3.688)	923 (2.036)	1281 (2.825)	901 (1.986)
1.5 m (4.9 ft.)	3113 (6.865)	1850 (4.079)	2644 (5.830)	1839 (4.056)	2310 (5.093)	1343 (2.961)	1884 (4.153)	1322 (2.915)	1899 (4.188)	1024 (2.258)	1431 (3.155)	1001 (2.207)	1699 (3.746)	856 (1.887)	1199 (2.644)	833 (1.836)
0.0 m (0.0 ft.)	3436 (7.577)	1722 (3.798)	2504 (5.521)	1707 (3.765)	2509 (5.532)	1261 (2.781)	1796 (3.960)	1238 (2.730)	1962 (4.327)	979 (2.158)	1383 (3.049)	955 (2.105)	1739 (3.834)	880 (1.941)	1242 (2.738)	856 (1.888)
-1.0 m (-3.3 ft.)	3089 (6.811)	1701 (3.751)	2481 (5.470)	1686 (3.717)	2274 (5.014)	1242 (2.738)	1775 (3.914)	1218 (2.686)	-	974 (2.147)	1377 (3.037)	949 (2.093)	1752 (3.864)	962 (2.122)	1361 (3.001)	938 (2.069)

Tab 12: Lifting force table EW100 – Boom, balloon tires, stabilizers rear, long dipper stick



Lifting force table EW100 - Adjustable boom

A B	3 m (9'-10")				4 m (13'-1")				5 m (16'-5")				6 m (19'-8")							
	I	II	III	IV	I	II	III	IV	I	II	III	IV	I	II	III	IV	I	II	III	IV
3.0 m (9.8 ft.)	3130 (6.902)	3025 (6.670)	3130 (6.902)	3130 (6.902)	2695 (5.942)	1830 (4.035)	2695 (5.942)	2075 (4.575)	2135 (4.708)	1295 (2.855)	2085 (4.597)	1470 (3.241)	1835 (4.046)	965 (2.128)	1565 (3.451)	1095 (2.414)	1720 (3.793)	815 (1.797)	1350 (2.977)	935 (2.062)
1.5 m (4.9 ft.)	4715 (10.397)	2600 (5.733)	4505 (9.934)	3015 (6.648)	3280 (7.232)	1595 (3.517)	2700 (5.954)	1835 (4.046)	2400 (5.292)	1180 (2.602)	1960 (4.322)	1350 (2.977)	1920 (4.234)	905 (1.996)	1505 (3.319)	1035 (2.282)	1640 (3.616)	760 (1.676)	1275 (2.811)	875 (1.929)
0.0 m (0.0 ft.)	4850 (10.694)	2330 (5.138)	4195 (9.250)	2735 (6.031)	3225 (7.111)	1500 (3.308)	2600 (5.733)	1740 (3.837)	2395 (5.281)	1110 (2.448)	1885 (4.156)	1280 (2.822)	1840 (4.057)	870 (1.918)	1465 (3.230)	1000 (2.205)	1545 (3.407)	790 (1.742)	1330 (2.933)	910 (2.007)
-1.0 m (-3.3 ft.)	3725 (8.214)	2340 (5.160)	3725 (8.214)	2740 (6.042)	2845 (6.273)	1500 (3.308)	2600 (5.733)	1740 (3.837)	2145 (4.730)	1100 (2.426)	1880 (4.145)	1270 (2.800)	1470 (3.241)	880 (1.940)	1470 (3.241)	1010 (2.227)	1420 (3.131)	875 (1.929)	1420 (3.131)	1005 (2.216)

Tab 12: Lifting force table EW100 – Adjustable boom, dual tires, dozer blade rear, short dipper stick

A B	3 m (9'-10")				4 m (13'-1")				5 m (16'-5")				6 m (19'-8")							
	I	II	III	IV	I	II	III	IV	I	II	III	IV	I	II	III	IV	I	II	III	IV
3.0 m (9.8 ft.)	-	-	-	-	2510 (5.535)	1860 (4.101)	2510 (5.535)	2110 (4.653)	2025 (4.465)	1305 (2.878)	2025 (4.465)	1480 (3.263)	1755 (3.870)	965 (2.128)	1570 (3.462)	1100 (2.426)	1600 (3.528)	750 (1.654)	1250 (2.756)	860 (1.896)
1.5 m (4.9 ft.)	4450 (9.812)	2625 (5.788)	4450 (9.812)	3040 (6.703)	3180 (7.012)	1605 (3.539)	2720 (5.998)	1850 (4.079)	2330 (5.138)	1180 (2.602)	1960 (4.322)	1350 (2.977)	1875 (4.134)	900 (1.985)	1500 (3.308)	1030 (2.271)	1535 (3.385)	700 (1.544)	1185 (2.613)	805 (1.775)
0.0 m (0.0 ft.)	4965 (10.948)	2285 (5.038)	4150 (9.151)	2685 (5.920)	3260 (7.188)	1480 (3.263)	2580 (5.689)	1720 (3.793)	2400 (5.292)	1095 (2.414)	1870 (4.123)	1265 (2.789)	1860 (4.101)	850 (1.874)	1450 (3.197)	985 (2.172)	1455 (3.208)	725 (1.599)	1235 (2.723)	835 (1.841)
-1.0 m (-3.3 ft.)	4085 (9.007)	2285 (5.038)	4085 (9.007)	2685 (5.920)	2970 (6.549)	1470 (3.241)	2565 (5.656)	1710 (3.771)	2220 (4.895)	1075 (2.370)	1850 (4.079)	1245 (2.745)	1645 (3.627)	845 (1.863)	1445 (3.186)	980 (2.161)	1355 (2.988)	795 (1.753)	1345 (2.966)	915 (2.018)

Tab 13: Lifting force table EW100 – Adjustable boom, dual tires, dozer blade rear, long dipper stick

A B	3 m (9'-10")				4 m (13'-1")				5 m (16'-5")				6 m (19'-8")							
	I	II	III	IV	I	II	III	IV	I	II	III	IV	I	II	III	IV	I	II	III	IV
3.0 m (9.8 ft.)	3130 (6.902)	2940 (6.483)	3130 (6.902)	3130 (6.902)	2695 (5.942)	1775 (3.914)	2695 (5.942)	2010 (4.432)	2135 (4.708)	1255 (2.767)	2030 (4.476)	1420 (3.131)	1835 (4.046)	930 (2.051)	1520 (3.352)	1060 (2.337)	1720 (3.793)	785 (1.731)	1310 (2.889)	900 (1.985)
1.5 m (4.9 ft.)	4715 (10.397)	2520 (5.557)	4385 (9.669)	2915 (6.428)	3280 (7.232)	1540 (3.396)	2625 (5.788)	1770 (3.903)	2400 (5.292)	1135 (2.503)	1900 (4.190)	1300 (2.867)	1920 (4.234)	875 (1.929)	1460 (3.219)	1000 (2.205)	1640 (3.616)	730 (1.610)	1235 (2.723)	840 (1.852)
0.0 m (0.0 ft.)	4850 (10.694)	2250 (4.961)	4075 (8.985)	2635 (5.810)	3225 (7.111)	1445 (3.186)	2520 (5.557)	1675 (3.693)	2395 (5.281)	1065 (2.348)	1830 (4.035)	1230 (2.712)	1840 (4.057)	835 (1.841)	1420 (3.131)	960 (2.117)	1545 (3.407)	760 (1.676)	1290 (2.844)	875 (1.929)
-1.0 m (-3.3 ft.)	3725 (8.214)	2260 (4.983)	3725 (8.214)	2645 (5.832)	2845 (6.273)	1445 (3.186)	2520 (5.557)	1675 (3.693)	2145 (4.730)	1060 (2.337)	1820 (4.013)	1225 (2.701)	1470 (3.241)	845 (1.863)	1435 (3.164)	975 (2.150)	1420 (3.131)	840 (1.852)	1420 (3.131)	970 (2.139)

Tab 14: Lifting force table EW100 – Adjustable boom, balloon tires, dozer blade rear, short dipper stick

A B	3 m (9'-10")				4 m (13'-1")				5 m (16'-5")				6 m (19'-8")							
	I	II	III	IV	I	II	III	IV	I	II	III	IV	I	II	III	IV	I	II	III	IV
3.0 m (9.8 ft.)	-	-	-	-	2510 (5.535)	1805 (3.980)	2510 (5.535)	2045 (4.509)	2025 (4.465)	1265 (2.789)	2025 (4.465)	1435 (3.164)	1755 (3.870)	935 (2.062)	1525 (3.363)	1060 (2.337)	1600 (3.528)	720 (1.588)	1215 (2.679)	830 (1.830)
1.5 m (4.9 ft.)	4450 (9.812)	2545 (5.612)	4415 (9.735)	2945 (6.494)	3180 (7.012)	1550 (3.418)	2640 (5.821)	1785 (3.936)	2330 (5.138)	1135 (2.503)	1905 (4.201)	1300 (2.867)	1875 (4.134)	865 (1.907)	1455 (3.208)	995 (2.194)	1535 (3.385)	675 (1.488)	1150 (2.536)	775 (1.709)
0.0 m (0.0 ft.)	4965 (10.948)	2205 (4.862)	4025 (8.875)	2590 (5.711)	3260 (7.188)	1425 (3.142)	2505 (5.524)	1660 (3.660)	2400 (5.292)	1050 (2.315)	1815 (4.002)	1215 (2.679)	1860 (4.101)	820 (1.808)	1405 (3.098)	945 (2.084)	1455 (3.208)	695 (1.532)	1195 (2.635)	805 (1.775)
-1.0 m (-3.3 ft.)	4085 (9.007)	2200 (4.851)	4025 (8.875)	2585 (5.700)	2970 (6.549)	1415 (3.120)	2490 (5.490)	1645 (3.627)	2220 (4.895)	1035 (2.282)	1795 (3.958)	1200 (2.646)	1645 (3.627)	815 (1.797)	1400 (3.087)	940 (2.073)	1355 (2.988)	760 (1.676)	1305 (2.878)	880 (1.940)

Tab 15: Lifting force table EW100 – Adjustable boom, balloon tires, dozer blade rear, long dipper stick



Lifting force table EW100 - Adjustable boom

A B	3 m (9'-10")				4 m (13'-1")				5 m (16'-5")				6 m (19'-8")							
	I	II	III	IV	I	II	III	IV	I	II	III	IV	I	II	III	IV	I	II	III	IV
3.0 m (9.8 ft.)	3130 (6.902)	3130 (6.902)	3130 (6.902)	3130 (6.902)	2695 (5.942)	2080 (4.586)	2695 (5.942)	2175 (4.796)	2135 (4.708)	1485 (3.274)	2040 (4.498)	1540 (3.396)	1835 (4.046)	1115 (2.459)	1535 (3.385)	1155 (2.547)	1720 (3.793)	955 (2.106)	1320 (2.911)	985 (2.172)
1.5 m (4.9 ft.)	4715 (10.397)	2985 (6.582)	4410 (9.724)	3165 (6.979)	3280 (7.232)	1850 (4.079)	2640 (5.821)	1935 (4.267)	2400 (5.292)	1370 (3.021)	1915 (4.223)	1420 (3.131)	1920 (4.234)	1060 (2.337)	1470 (3.241)	1095 (2.414)	1640 (3.616)	895 (1.973)	1245 (2.745)	925 (2.040)
0.0 m (0.0 ft.)	4850 (10.694)	2715 (5.987)	4100 (9.041)	2880 (6.350)	3225 (7.111)	1755 (3.870)	2540 (5.601)	1840 (4.057)	2395 (5.281)	1300 (2.867)	1840 (4.057)	1350 (2.977)	1840 (4.057)	1020 (2.249)	1435 (3.164)	1060 (2.337)	1545 (3.407)	930 (2.051)	1300 (2.867)	965 (2.128)
-1.0 m (-3.3 ft.)	3725 (8.214)	2725 (6.009)	3725 (8.214)	2890 (6.372)	2845 (6.273)	1755 (3.870)	2540 (5.601)	1840 (4.057)	2145 (4.730)	1290 (2.844)	1835 (4.046)	1345 (2.966)	1470 (3.241)	1030 (2.271)	1445 (3.186)	1070 (2.359)	1420 (3.131)	1025 (2.260)	1420 (3.131)	1065 (2.348)

Tab 16: Lifting force table EW100 – Adjustable boom, dual tires, stabilizers front, dozer blade rear, short dipper stick

A B	3 m (9'-10")				4 m (13'-1")				5 m (16'-5")				6 m (19'-8")							
	I	II	III	IV	I	II	III	IV	I	II	III	IV	I	II	III	IV	I	II	III	IV
3.0 m (9.8 ft.)	-	-	-	-	2510 (5.535)	2115 (4.664)	2510 (5.535)	2210 (4.873)	2025 (4.465)	1495 (3.296)	2025 (4.465)	1555 (3.429)	1755 (3.870)	1120 (2.470)	1535 (3.385)	1160 (2.558)	1600 (3.528)	880 (1.940)	1225 (2.701)	910 (2.007)
1.5 m (4.9 ft.)	4450 (9.812)	3010 (6.637)	4445 (9.801)	3190 (7.034)	3180 (7.012)	1860 (4.101)	2660 (5.865)	1950 (4.300)	2330 (5.138)	1370 (3.021)	1915 (4.223)	1425 (3.142)	1875 (4.134)	1050 (2.315)	1465 (3.230)	1090 (2.403)	1535 (3.385)	825 (1.819)	1160 (2.558)	855 (1.885)
0.0 m (0.0 ft.)	4965 (10.948)	2670 (5.887)	4055 (8.941)	2840 (6.262)	3260 (7.188)	1735 (3.826)	2520 (5.557)	1820 (4.013)	2400 (5.292)	1285 (2.833)	1825 (4.024)	1335 (2.944)	1860 (4.101)	1005 (2.216)	1415 (3.120)	1040 (2.293)	1455 (3.208)	855 (1.885)	1205 (2.657)	885 (1.951)
-1.0 m (-3.3 ft.)	4085 (9.007)	2670 (5.887)	4050 (8.930)	2835 (6.251)	2970 (6.549)	1725 (3.804)	2510 (5.535)	1805 (3.980)	2220 (4.895)	1265 (2.789)	1810 (3.991)	1320 (2.911)	1645 (3.627)	1000 (2.205)	1410 (3.109)	1035 (2.282)	1355 (2.988)	935 (2.062)	1315 (2.900)	970 (2.139)

Tab 17: Lifting force table EW100 – Adjustable boom, dual tires, stabilizers front, dozer blade rear, long dipper stick

A B	3 m (9'-10")				4 m (13'-1")				5 m (16'-5")				6 m (19'-8")							
	I	II	III	IV	I	II	III	IV	I	II	III	IV	I	II	III	IV	I	II	III	IV
3.0 m (9.8 ft.)	3130 (6.902)	3130 (6.902)	3130 (6.902)	3130 (6.902)	2695 (5.942)	2025 (4.465)	2695 (5.942)	2110 (4.653)	2135 (4.708)	1445 (3.186)	1985 (4.377)	1495 (3.296)	1835 (4.046)	1080 (2.381)	1490 (3.285)	1115 (2.459)	1720 (3.793)	925 (2.040)	1280 (2.822)	950 (2.095)
1.5 m (4.9 ft.)	4715 (10.397)	2900 (6.395)	4290 (9.459)	3065 (6.758)	3280 (7.232)	1790 (3.947)	2565 (5.656)	1870 (4.123)	2400 (5.292)	1325 (2.922)	1860 (4.101)	1375 (3.032)	1920 (4.234)	1025 (2.260)	1430 (3.153)	1055 (2.326)	1640 (3.616)	865 (1.907)	1205 (2.657)	890 (1.962)
0.0 m (0.0 ft.)	4850 (10.694)	2630 (5.799)	3980 (8.776)	2785 (6.141)	3225 (7.111)	1700 (3.749)	2460 (5.424)	1775 (3.914)	2395 (5.281)	1255 (2.767)	1785 (3.936)	1305 (2.878)	1840 (4.057)	985 (2.172)	1390 (3.065)	1020 (2.249)	1545 (3.407)	900 (1.985)	1260 (2.778)	930 (2.051)
-1.0 m (-3.3 ft.)	3725 (8.214)	2640 (5.821)	3725 (8.214)	2795 (6.163)	2845 (6.273)	1700 (3.749)	2465 (5.435)	1775 (3.914)	2145 (4.730)	1250 (2.756)	1780 (3.925)	1295 (2.855)	1470 (3.241)	1000 (2.205)	1400 (3.087)	1030 (2.271)	1420 (3.131)	995 (2.194)	1390 (3.065)	1025 (2.260)

Tab 18: Lifting force table EW100 – Adjustable boom, balloon tires, stabilizers front, dozer blade rear, short dipper stick

A B	3 m (9'-10")				4 m (13'-1")				5 m (16'-5")				6 m (19'-8")							
	I	II	III	IV	I	II	III	IV	I	II	III	IV	I	II	III	IV	I	II	III	IV
3.0 m (9.8 ft.)	-	-	-	-	2510 (5.535)	2060 (4.542)	2510 (5.535)	2145 (4.730)	2025 (4.465)	1455 (3.208)	2000 (4.410)	1505 (3.319)	1755 (3.870)	1085 (2.392)	1495 (3.296)	1120 (2.470)	1600 (3.528)	850 (1.874)	1185 (2.613)	880 (1.940)
1.5 m (4.9 ft.)	4450 (9.812)	2925 (6.450)	4325 (9.537)	3095 (6.824)	3180 (7.012)	1805 (3.980)	2585 (5.700)	1885 (4.156)	2330 (5.138)	1325 (2.922)	1860 (4.101)	1375 (3.032)	1875 (4.134)	1020 (2.249)	1425 (3.142)	1050 (2.315)	1535 (3.385)	800 (1.764)	1120 (2.470)	825 (1.819)
0.0 m (0.0 ft.)	4965 (10.948)	2585 (5.700)	3935 (8.677)	2740 (6.042)	3260 (7.188)	1680 (3.704)	2445 (5.391)	1755 (3.870)	2400 (5.292)	1240 (2.734)	1770 (3.903)	1290 (2.844)	1860 (4.101)	970 (2.139)	1370 (3.021)	1005 (2.216)	1455 (3.208)	825 (1.819)	1165 (2.569)	855 (1.885)
-1.0 m (-3.3 ft.)	4085 (9.007)	2585 (5.700)	3930 (8.666)	2735 (6.031)	2970 (6.549)	1670 (3.682)	2430 (5.358)	1740 (3.837)	2220 (4.895)	1225 (2.701)	1750 (3.859)	1270 (2.800)	1645 (3.627)	965 (2.128)	1365 (3.010)	1000 (2.205)	1355 (2.988)	905 (1.996)	1275 (2.811)	935 (2.062)

Tab 19: Lifting force table EW100 – Adjustable boom, balloon tires, stabilizers front, dozer blade rear, long dipper stick



Lifting force table EW100 - Adjustable boom

A \ B	3 m (9'-10")				4 m (13'-1")				5 m (16'-5")				6 m (19'-8")							
	I	II	III	IV	I	II	III	IV	I	II	III	IV	I	II	III	IV	I	II	III	IV
3.0 m (9.8 ft.)	3130 (6.902)	3070 (6.769)	3130 (6.902)	3130 (6.902)	2695 (5.942)	1860 (4.101)	2695 (5.942)	2045 (4.509)	2135 (4.708)	1320 (2.911)	2005 (4.421)	1445 (3.186)	1835 (4.046)	980 (2.161)	1505 (3.319)	1075 (2.370)	1720 (3.793)	835 (1.841)	1290 (2.844)	915 (2.018)
1.5 m (4.9 ft.)	4715 (10.397)	2650 (5.843)	4335 (9.559)	2965 (6.538)	3280 (7.232)	1625 (3.583)	2595 (5.722)	1800 (3.969)	2400 (5.292)	1200 (2.646)	1880 (4.145)	1325 (2.922)	1920 (4.234)	925 (2.040)	1445 (3.186)	1020 (2.249)	1640 (3.616)	775 (1.709)	1220 (2.690)	855 (1.885)
0.0 m (0.0 ft.)	4850 (10.694)	2380 (5.248)	4025 (8.875)	2680 (5.909)	3225 (7.111)	1530 (3.374)	2490 (5.490)	1705 (3.760)	2395 (5.281)	1130 (2.492)	1805 (3.980)	1255 (2.767)	1840 (4.057)	885 (1.951)	1405 (3.098)	980 (2.161)	1545 (3.407)	810 (1.786)	1275 (2.811)	890 (1.962)
-1.0 m (-3.3 ft.)	3725 (8.214)	2390 (5.270)	3725 (8.214)	2690 (5.931)	2845 (6.273)	1530 (3.374)	2490 (5.490)	1705 (3.760)	2145 (4.730)	1125 (2.481)	1800 (3.969)	1245 (2.745)	1470 (3.241)	900 (1.985)	1415 (3.120)	990 (2.183)	1420 (3.131)	895 (1.973)	1405 (3.098)	985 (2.172)

Tab 20: Lifting force table EW100 – Adjustable boom, dual tires, stabilizers rear, short dipper stick

A \ B	3 m (9'-10")				4 m (13'-1")				5 m (16'-5")				6 m (19'-8")							
	I	II	III	IV	I	II	III	IV	I	II	III	IV	I	II	III	IV	I	II	III	IV
3.0 m (9.8 ft.)	-	-	-	-	2510 (5.535)	1895 (4.178)	2510 (5.535)	2080 (4.586)	2025 (4.465)	1330 (2.933)	2020 (4.454)	1455 (3.208)	1755 (3.870)	985 (2.172)	1510 (3.330)	1080 (2.381)	1600 (3.528)	765 (1.687)	1200 (2.646)	845 (1.863)
1.5 m (4.9 ft.)	4450 (9.812)	2675 (5.898)	4365 (9.625)	2990 (6.593)	3180 (7.012)	1640 (3.616)	2610 (5.755)	1820 (4.013)	2330 (5.138)	1200 (2.646)	1880 (4.145)	1325 (2.922)	1875 (4.134)	920 (2.029)	1440 (3.175)	1010 (2.227)	1535 (3.385)	715 (1.577)	1135 (2.503)	790 (1.742)
0.0 m (0.0 ft.)	4965 (10.948)	2335 (5.149)	3975 (8.765)	2635 (5.810)	3260 (7.188)	1515 (3.341)	2475 (5.457)	1690 (3.726)	2400 (5.292)	1115 (2.459)	1790 (3.947)	1240 (2.734)	1860 (4.101)	870 (1.918)	1390 (3.065)	965 (2.128)	1455 (3.208)	740 (1.632)	1180 (2.602)	820 (1.808)
-1.0 m (-3.3 ft.)	4085 (9.007)	2335 (5.149)	3975 (8.765)	2635 (5.810)	2970 (6.549)	1500 (3.308)	2460 (5.424)	1675 (3.693)	2220 (4.895)	1100 (2.426)	1775 (3.914)	1220 (2.690)	1645 (3.627)	865 (1.907)	1385 (3.054)	960 (2.117)	1355 (2.988)	810 (1.786)	1285 (2.833)	895 (1.973)

Tab 21: Lifting force table EW100 – Adjustable boom, dual tires, stabilizers front, dozer blade rear, long dipper stick

A \ B	3 m (9'-10")				4 m (13'-1")				5 m (16'-5")				6 m (19'-8")							
	I	II	III	IV	I	II	III	IV	I	II	III	IV	I	II	III	IV	I	II	III	IV
3.0 m (9.8 ft.)	3130 (6.902)	2990 (6.593)	3130 (6.902)	3130 (6.902)	2695 (5.942)	1805 (3.980)	2695 (5.942)	1980 (4.366)	2135 (4.708)	1275 (2.811)	1950 (4.300)	1395 (3.076)	1835 (4.046)	950 (2.095)	1460 (3.219)	1040 (2.293)	1720 (3.793)	805 (1.775)	1255 (2.767)	880 (1.940)
1.5 m (4.9 ft.)	4715 (10.397)	2565 (5.656)	4210 (9.283)	2865 (6.317)	3280 (7.232)	1570 (3.462)	2515 (5.546)	1740 (3.837)	2400 (5.292)	1160 (2.558)	1825 (4.024)	1275 (2.811)	1920 (4.234)	890 (1.962)	1400 (3.087)	980 (2.161)	1640 (3.616)	745 (1.643)	1180 (2.602)	825 (1.819)
0.0 m (0.0 ft.)	4850 (10.694)	2295 (5.060)	3900 (8.600)	2585 (5.700)	3225 (7.111)	1475 (3.252)	2415 (5.325)	1640 (3.616)	2395 (5.281)	1090 (2.403)	1750 (3.859)	1205 (2.657)	1840 (4.057)	855 (1.885)	1360 (2.999)	940 (2.073)	1545 (3.407)	780 (1.720)	1235 (2.723)	855 (1.885)
-1.0 m (-3.3 ft.)	3725 (8.214)	2305 (5.083)	3725 (8.214)	2595 (5.722)	2845 (6.273)	1475 (3.252)	2390 (5.270)	1640 (3.616)	2145 (4.730)	1085 (2.392)	1740 (3.837)	1200 (2.646)	1470 (3.241)	865 (1.907)	1370 (3.021)	955 (2.106)	1420 (3.131)	860 (1.896)	1365 (3.010)	950 (2.095)

Tab 22: Lifting force table EW100 – Adjustable boom, balloon tires, stabilizers rear, short dipper stick

A \ B	3 m (9'-10")				4 m (13'-1")				5 m (16'-5")				6 m (19'-8")							
	I	II	III	IV	I	II	III	IV	I	II	III	IV	I	II	III	IV	I	II	III	IV
3.0 m (9.8 ft.)	-	-	-	-	2510 (5.535)	1840 (4.057)	2510 (5.535)	2015 (4.443)	2025 (4.465)	1290 (2.844)	1960 (4.322)	1410 (3.109)	1755 (3.870)	950 (2.095)	1465 (3.230)	1040 (2.293)	1600 (3.528)	740 (1.632)	1160 (2.558)	810 (1.786)
1.5 m (4.9 ft.)	4450 (9.812)	2590 (5.711)	4245 (9.360)	2890 (6.372)	3180 (7.012)	1585 (3.495)	2535 (5.590)	1755 (3.870)	2330 (5.138)	1160 (2.558)	1825 (4.024)	1275 (2.811)	1875 (4.134)	885 (1.951)	1395 (3.076)	975 (2.150)	1535 (3.385)	690 (1.521)	1100 (2.426)	760 (1.676)
0.0 m (0.0 ft.)	4965 (10.948)	2250 (4.961)	3855 (8.500)	2540 (5.601)	3260 (7.188)	1460 (3.219)	2395 (5.281)	1625 (3.583)	2400 (5.292)	1075 (2.370)	1735 (3.826)	1190 (2.624)	1860 (4.101)	835 (1.841)	1345 (2.966)	925 (2.040)	1455 (3.208)	710 (1.566)	1140 (2.514)	785 (1.731)
-1.0 m (-3.3 ft.)	4085 (9.007)	2250 (4.961)	3850 (8.489)	2535 (5.590)	2970 (6.549)	1445 (3.186)	2380 (5.248)	1610 (3.550)	2220 (4.895)	1060 (2.337)	1715 (3.782)	1175 (2.591)	1645 (3.627)	830 (1.830)	1340 (2.955)	920 (2.029)	1355 (2.988)	780 (1.720)	1245 (2.745)	860 (1.896)

Tab 23: Lifting force table EW100 – Adjustable boom, balloon tires, stabilizers rear, long dipper stick